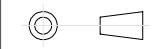
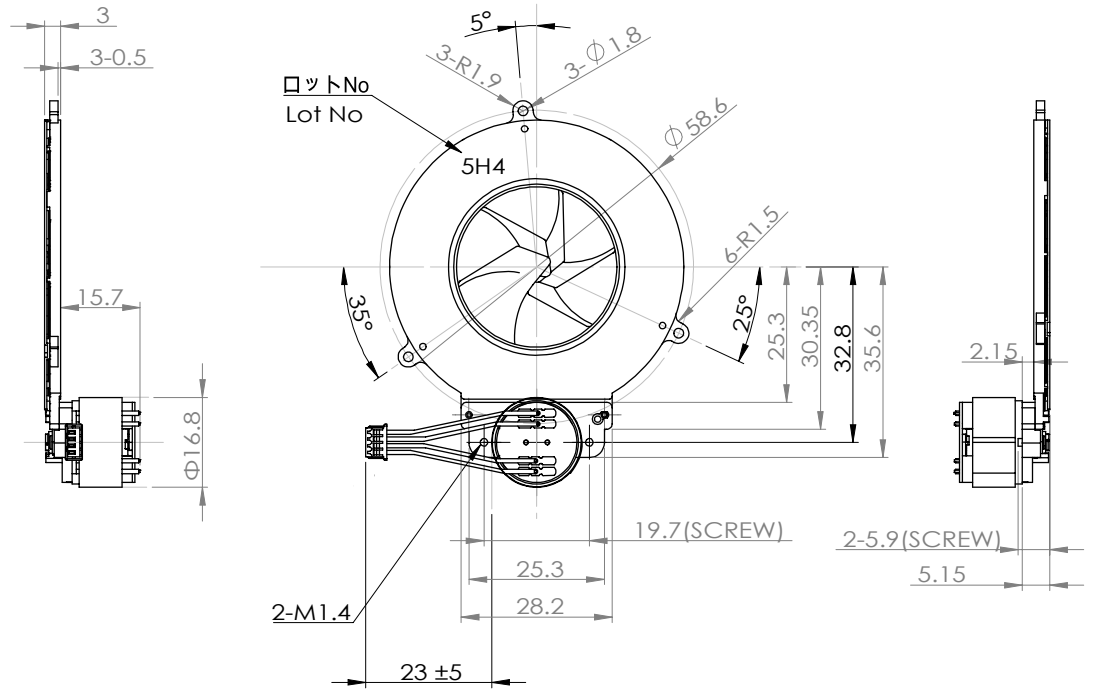
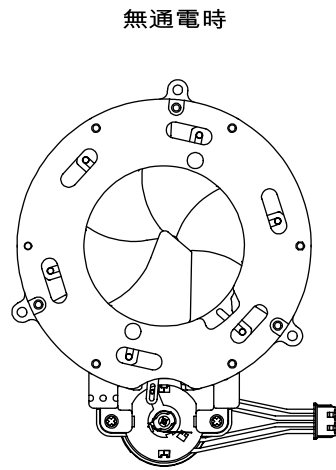
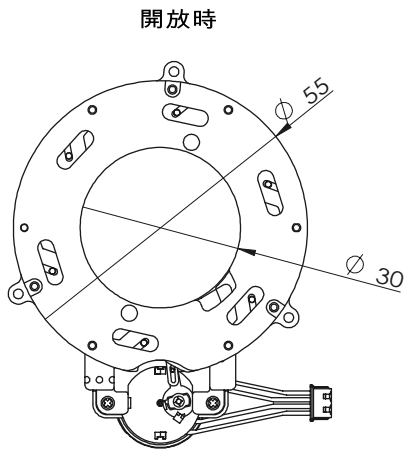


| | | | | | | | | | |
|--|--|--|--|--|--|--|--|--|--|
| | | | | | | | | | |
| | | | | | | | | | |
| | | | | | | | | | |
| | | | | | | | | | |
| | | | | | | | | | |
| | | | | | | | | | |
| | | | | | | | | | |
| | | | | | | | | | |
| | | | | | | | | | |
| | | | | | | | | | |
| | | | | | | | | | |
| | | | | | | | | | |
| | | | | | | | | | |
| | | | | | | | | | |
| | | | | | | | | | |
| | | | | | | | | | |
| | | | | | | | | | |
| | | | | | | | | | |
| | | | | | | | | | |
| | | | | | | | | | |
| | | | | | | | | | |
| | | | | | | | | | |



| | | | | | | |
|--|-------------|-------------|---------------|------------------|--------------|---------------------------|
| 承認 Approval | 検図 Check | 調査 Check | 製図 Drawing | 尺度 Scale 1:1 | 個数 qty. 1 | 関連図番 Related Model No. |
| | | | | 材質 Material — | | 名称 Model AI6-300 |
| | | | | 処理 Finish — | | 図番 Model No. |
| 株式会社 藤田電機製作所 Fujita Electric Works Ltd. | | | | 日付 Date | | |